

MD IR N360

uDIM - in-ceiling installation anthracite
 EAN 4007841 087456
 Article number 087456



infrared sensor 360°



Eagle Eye Technology



Bluetooth



Digital sensor setting



Settings via App



2 - 2000 lux (via App)



IP54



CE

Function description

His eagle eye sees more. Our nexx.IS PRO series was specially developed for reliable outdoor detection applications and is the ideal solution for building entrances and façades. Thanks to innovative 'Eagle Eye' technology, a specific detection area can be improved by 200 per cent when the sensor is viewed from the front. This means that access areas, for example, can be monitored even more precisely. This is made possible by a small, individually positionable window in the lens. The sensors in the nexx.IS PRO series can be networked via Bluetooth Mesh and offer all Connect functionalities. For example, outdoor lights connected via Bluetooth Mesh can be controlled, timer programmes defined and wireless push-buttons connected. The innovative sensor family covers three different detection areas. A surface-mounted version with a detection range of 130° or 270° is available for wall mounting. A 360° solution is available for the ceiling, either as a surface-mounted or recessed version. All models are available in the colours white and anthracite. The nexx.IS PRO series is available with COM1 and uDIM interfaces (leading and trailing edge phase dimming). With uDIM, soft light start and ambient light can now also be used with conventional luminaires. Prerequisite: the light source must be dimmable.

Technical specifications

| | | | |
|----------------------------|-------------------------------------------|-----------------------------------------------|------------------------------|
| Dimensions (Ø x H) | 83 x 74 mm | Optimum mounting height | 2,5 m |
| With motion detector | Yes | Detection angle | 360 ° |
| Manufacturer's Warranty | 5 years | Sneak-by guard | Yes |
| Settings via | Bluetooth, App | Capability of masking out individual segments | Yes |
| With remote control | No | Electronic scalability | Yes |
| Version | uDIM - in-ceiling installation anthracite | Mechanical scalability | No |
| PU1, EAN | 4007841087456 | Reach, radial | Ø 7 m (38 m ²) |
| Type | Motion detectors | Reach, tangential | Ø 26 m (531 m ²) |
| Application, place | Outdoors | Switching zones | 1179 switching zones |
| Colour | Anthracite | Cover material | Cover clips |
| Colour, RAL | 7016 | Twilight setting | 2 – 2000 lx |
| Includes corner wall mount | No | Time setting | 5 s – 60 Min. |
| Installation site | ceiling | Basic light level function | Yes |

MD IR N360

uDIM - in-ceiling installation anthracite
EAN 4007841 087456
Article number 087456



Technical specifications

| | |
|----------------------|----------------------------------|
| Installation | Ceiling, In-ceiling installation |
| IP-rating | IP54 |
| Ambient temperature | from -20 up to 40 °C |
| Material | Plastic |
| Mains power supply | 50 – 60 Hz |
| Technology, sensors | passive infrared, Light sensor |
| Mounting height | 1,8 – 6,00 m |
| Mounting height max. | 6,00 m |

| | |
|----------------------------------|-----------------|
| Basic light level function time | 1-60 min |
| Twilight setting TEACH | Yes |
| Constant-lighting control | No |
| Interconnection | Yes |
| Interconnection via | Bluetooth Mesh |
| Reichweite Radial Eagle Eye max. | 6 m |
| Product category | Motion detector |

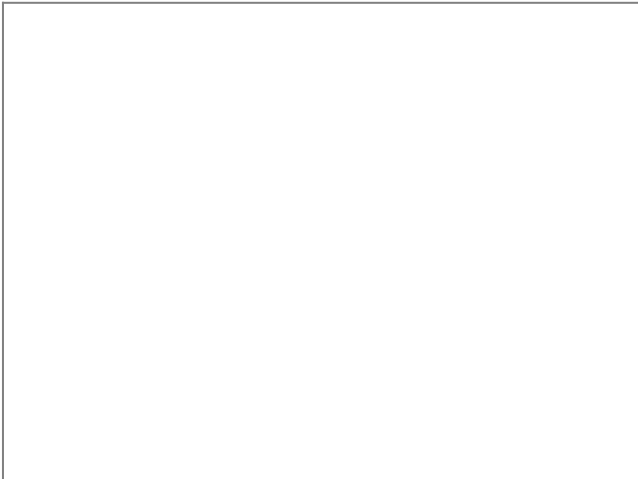
MD IR N360

uDIM - in-ceiling installation anthracite

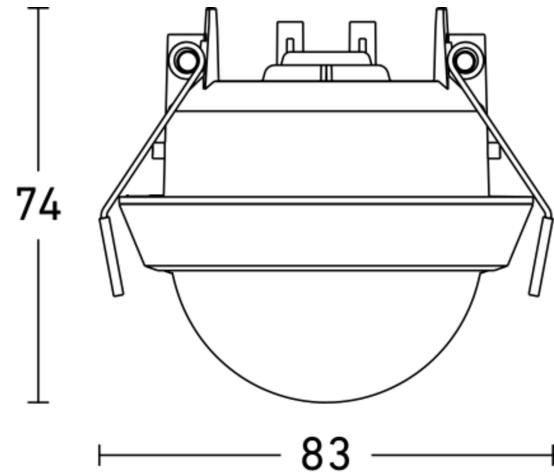
EAN 4007841 087456

Article number 087456

Detection Zone



Dimension Drawing



Circuit diagram for phase and section dimming

